

- 1
- 2
- 3
- 4
- 5
- 6
- 7
- 8
- 9
- 10
- 11
- 12
- 13
- 14
- 15
- 16
- 17
- 18

**TYPES**

Type **L**: Fixing angle piece, left  
 Type **R**: Fixing angle piece, right

Stainless Steel 304 **NI**  
 matte, ground **MT**

Friction bearing  
 Bronze  
 self lubricated

**TECHNICAL DATA**

The maximum load of the Stainless Steel-Multiple-joint hinge specified below applies to the standard use cases and serves for orientation in the case of deviating applications. The resulting forces lead to slight elastic deformation, which can be compensated for by means of the adjustment options, if necessary.

**FEATURES AND APPLICATIONS**

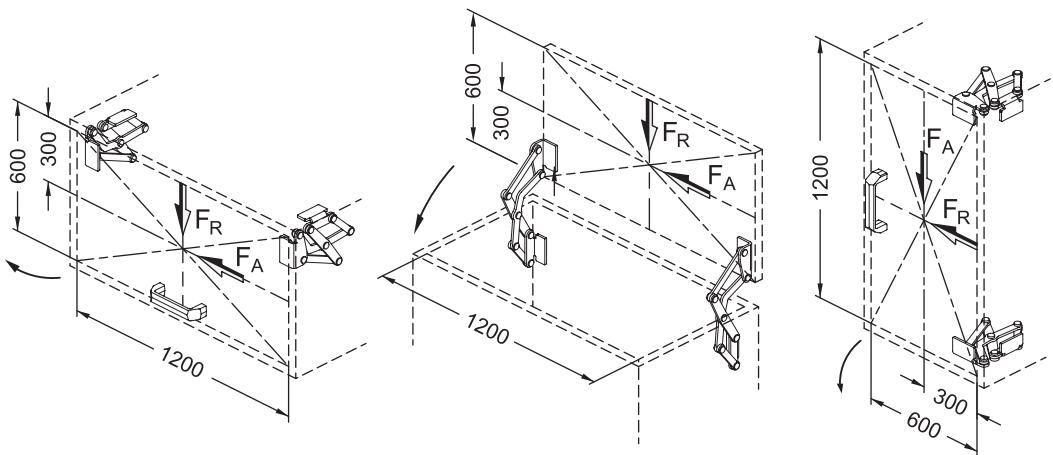
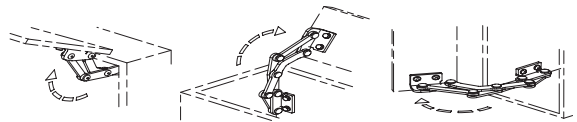
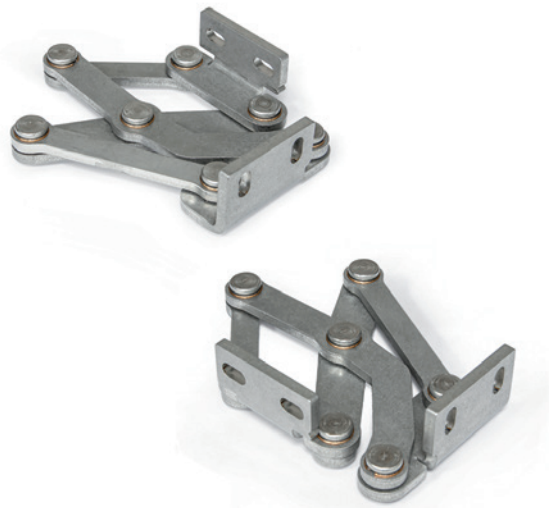
Stainless Steel-Multiple-joint hinges GN 7233 are installed on the inside of flaps, hatches and doors to save space and ensure protection against vandalism. The hinges have a maximum opening angle of 120°, allowing for easy accessibility and making them suitable for use with medium-thick doors.

Use of this hinge type leaves housing exteriors free of attachments that do not match the design or that should be avoided entirely in the interests of fast and easy cleaning.

Stainless Steel-Multiple-joint hinges are generally used in pairs, meaning that one L type and one R type are used per opening. For higher loads, e.g. from large flaps or hatches, these can be supplemented with additional hinges of any type.

**ON REQUEST**

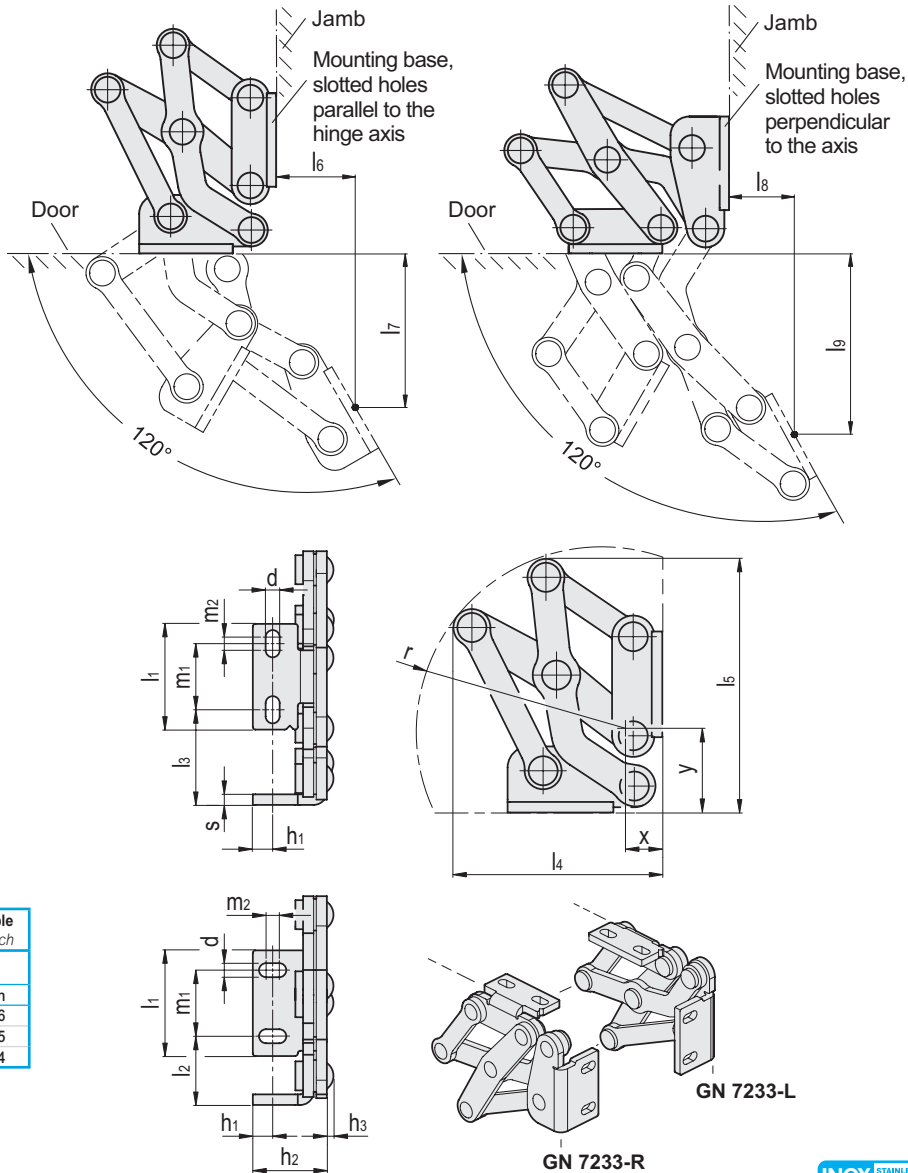
- other materials
- other finishes
- other fixing angle pieces
- other opening angles
- other max. wall thicknesses
- other lifting motion



Resistance tests	Axial Stress	Radial Stress
Description	FA [N]	Fr [N]
GN 7233-40	175	650
GN 7233-50	175	750
GN 7233-60	150	550

**INSTALLATION AND HINGE PIVOT TYPE**

The Stainless Steel-Multiple-joint hinges can be installed on the housing with the slots of the fixing angle piece oriented either perpendicular or parallel to the hinge axis. This results in the two pivot characteristics depicted.



Conversion Table	
1 mm = 0.039 inch	
l1	
mm	inch
40	1.56
50	1.95
60	2.34

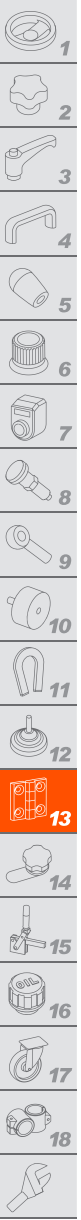
**GN 7233-L**

Code	Description	h1	l1	l2	d	h2	h3	l3	l4	l5	l6	l7	l8	l9	m1	m2	r	s	x	y	Δ
GN.32331	GN 7233-NI-40-L-MT	7.5	40	26	5.3	28	2.5	36	79	96	33.8	65.9	27.9	77.4	25	5	70	4	23	30.5	267
GN.32333	GN 7233-NI-50-L-MT	10	50	35	6.5	35	2.5	46	105	135	79.3	82	2.8	113.3	30	6	105	5	20	37	533
GN.32335	GN 7233-NI-60-L-MT	12.5	60	40	8.5	40	2.5	61	130	169	87.5	107.5	17.4	147.1	36	8	125	5	34	50	700

**GN 7233-R**

Code	Description	h1	l1	l2	d	h2	h3	l3	l4	l5	l6	l7	l8	l9	m1	m2	r	s	x	y	Δ
GN.32332	GN 7233-NI-40-R-MT	7.5	40	26	5.3	28	2.5	36	79	96	33.8	65.9	27.9	77.4	25	5	70	4	23	30.5	267
GN.32334	GN 7233-NI-50-R-MT	10	50	35	6.5	35	2.5	46	105	135	79.3	82	2.8	113.3	30	6	105	5	20	37	533
GN.32336	GN 7233-NI-60-R-MT	12.5	60	40	8.5	40	2.5	61	130	169	87.5	107.5	17.4	147.1	36	8	125	5	34	50	700

- 1
- 2
- 3
- 4
- 5
- 6
- 7
- 8
- 9
- 10
- 11
- 12
- 13
- 14
- 15
- 16
- 17
- 18

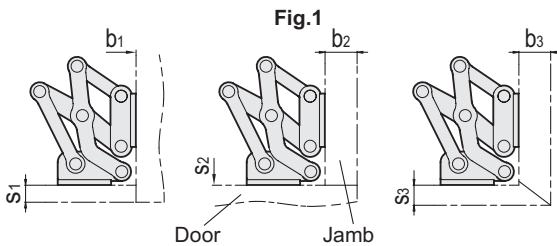


**DESIGN VARIANTS**

Doors, flaps and hatches can be inset, flush or mitered. The maximum wall thicknesses and bend sizes for sheet metal constructions given below arise from the respective installation type.

- Fastening flange mounted to the housing with slots perpendicular to the hinge axis (see Fig.1).
- Fastening flange mounted to the housing with slots parallel to the hinge axis (see Fig.2).

The design variants shown represent standard installation conditions. If the installation position of the hinge is changed or one of the two wall thickness dimensions is lower than  $s$  or  $b$ , the maximum achievable dimensions change independently of each other. This makes it possible in some cases to work with larger wall thickness dimensions than those specified with the same hinge size. A simple design check via CAD or a test setup is therefore recommended.



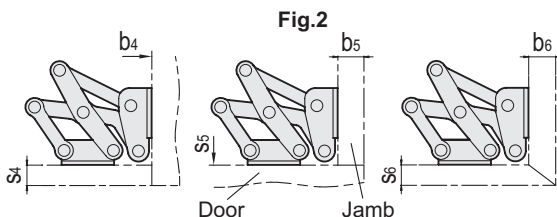
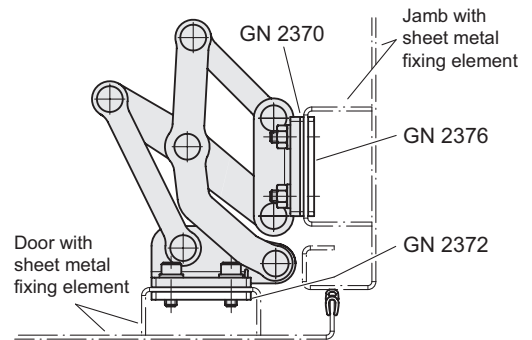
Description	s1 max.	b1	s2	b2 max.	s3 max.	b3 max.
GN 7233-40	20	1 ... ∞	1 ... ∞	22	18	18
GN 7233-50	25	1 ... ∞	1 ... ∞	38	30	30
GN 7233-60	32	1 ... ∞	1 ... ∞	50	40	40

**ADJUSTMENT AND FIXING OPTIONS**

The Stainless Steel-Multiple-joint hinges can be adjusted in three planes during installation. For example, this allows tolerances to be adjusted or the required compressive forces for seals to be established.

Two planes can be adjusted via the parallel or perpendicular slots in the fixing angle pieces. In the third plane, position corrections can be made using the Stainless Steel-Spacer plates GN 2370.

Stainless Steel-Plates with tapped holes GN 2372 as well as Stainless Steel-Plates with threaded studs GN 2376 (see page -) are also available for fastening the hinges. The latter can be welded on or inserted through the wall from the outside and fastened in place. All accessory items are designed for use with both fixing angle pieces.



Description	s4 max.	b4	s5	b5 max.	s6 max.	b6 max.
GN 7233-40	22	1 ... ∞	1 ... ∞	20	18	18
GN 7233-50	38	1 ... ∞	1 ... ∞	25	30	30
GN 7233-60	50	1 ... ∞	1 ... ∞	32	40	40

